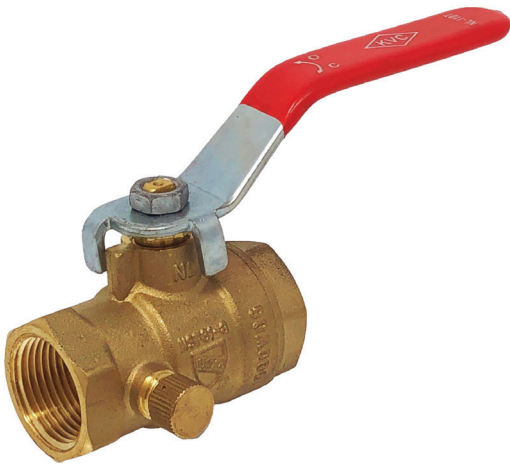


FIG. NL-110T LEAD FREE 600 WOG FULL PORT BRASS BALL VALVE THREADED ENDS W/DRAIN



Features:

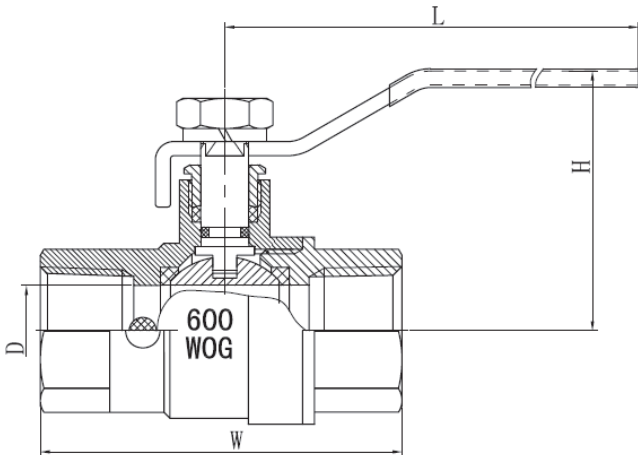
- Dezincification Resistant (DZR) Lead Free Brass Material
- Thread Conform ANSI B1.20.1
- Forged Brass Body
- Blow Out Proof Stem Design
- Packing Nut, O-RING & Packing On The Stem Seal
- Stainless Steel Ball
- Handle With Vinyl Grip

Performance Rating

- 600 psi (WOG) 150 psi (WSP) Service
- Temperature Range : -20°F to 300°F

Material List:

Part Name	Material
Body	ASTM B283 C46400
Seat	PTFE
Ball	Stainless Steel
Stem O-Ring	NBR
Packing Nut	Brass
Stem	Brass
Lock Nut	Ferrum /Zinc Plated
Lock Washer	Ferrum /Zinc Plated
Packing	PTFE
Handle	Ferrum /Chrome Plated
Cap	Lead Free Brass
Drain Cap	Brass
Drain Washer	EPDM



Approvals:

CSA:	1/2" - 1" Per NSF/ANSI-61, NSF/ANSI-372 ,IGC-157
------	--



Dimensions:

SIZE	DN	L	H	W	Cv
1/2"	0.591	3.46	1.81	2.32	18.55
3/4"	0.748	4.29	2.09	2.56	29.76
1"	0.984	4.29	2.25	2.99	51.55